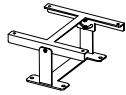






Instruction Sheet

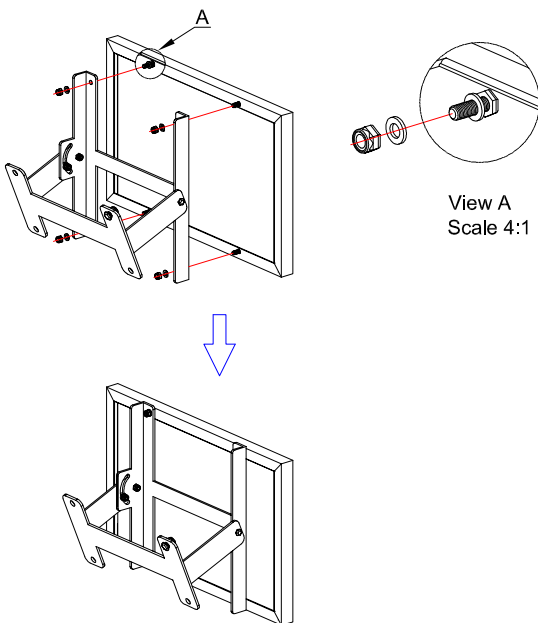
Solar Panel Bracket- Flat Catalog Number : MS130CESI

Parts List:

<u>Items</u>	<u>Number Included</u>	<u>Image</u>
Solar Panel Bracket-Flat.....	1	
$\frac{1}{4}$ " Bolt with 1 Nut and 2 washers.....	4	
$\frac{5}{16}$ " Bolt with 1 Nut and 2 washers.....	4	

Assemble process:

Step 1:
Mounted the solar panel on the bracket
by fastening the four $\frac{1}{4}$ " bolts, shows as below.



Step 2:
Mounted the bracket on board
by fastening the four $\frac{5}{16}$ " bolts, shows as below.

