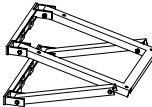






Instruction Sheet

Solar Panel Bracket- Hang Catalog Number : MS200CESI

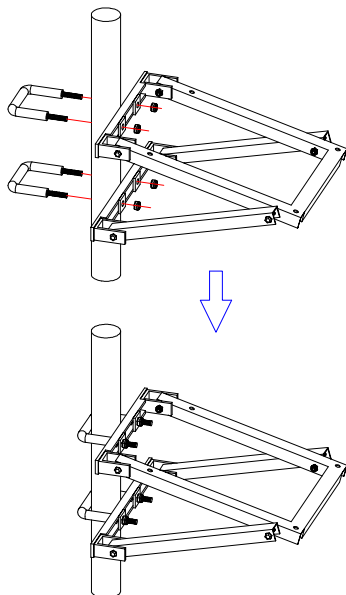
Parts List:

<u>Items</u>	<u>Number Included</u>	<u>Image</u>
Solar Panel Bracket-Hang.....	1	
$\frac{1}{4}$ " Bolt with 1 Nut and 2 washers.....	4	
U-Bolt with 2 Nut.....	2	

Assemble process:

Step 1:

Mounted the bracket on a pole by fastening the two U-bolts, shows as below. The gradient can be adjusted by adjusting the distance between the two U-bolts;



Step 2:

Mounted the solar panel on the bracket by fastening the four $\frac{1}{4}$ " bolts, shows as below.

